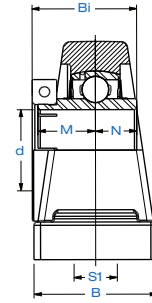
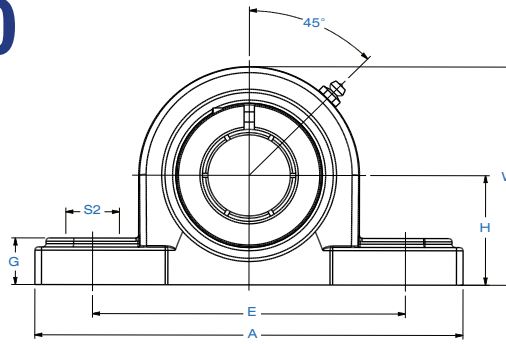


# SUESPM 200

Normal-Duty Pillow Block  
Tru-Loc (Concentric Collar Clamp)



Seal  
Styles



Standard Seal  
with Flinger



Triple-Lip  
L3 Seal

Bearing Number	Shaft Dia.	Dimensions in. mm.											Bolt Used	Load Rating lbs. kN.		Bearing Insert	Housing Number	Wt. lbs. kg.
	d in. mm.	H	A	E	B	S2	S1	G	W	Bi	N	M		in. mm.	Dynamic Cr			
SUESPM 204-12	3/4	1.313	4.94	3.75	1.46	0.75	0.51	0.59	2.52	1.2992	0.5000	0.7205	3/8	2,331	1,142	SUE 204-12	SPM 204	1.5
SUESPM 204	20	33.3	125.5	95.0	37.0	19.0	13.0	15.0	64.0	33.0	12.7	18.3	M10	10.37	5.08	SUE 204		0.7
SUESPM 205-14	7/8															SUE 205-14	SPM 205	1.8 0.8
SUESPM 205-15	15/16	1.438	5.44	4.13	1.48	0.75	0.51	0.63	2.78	1.3937	0.5630	0.7795	3/8	2,542	1,349	SUE 205-15		
SUESPM 205	25	36.5	138.5	105.0	37.5	19.0	13.0	16.0	70.5	35.4	14.3	19.8	M10	11.31	6.00	SUE 205		
SUESPM 205-16	1															SUE 205-16		
SUESPM 206-17	1 1/16															SUE 206-17	SPM 206	2.1 1.0
SUESPM 206-18	1 1/8															SUE 206-18		
SUESPM 206	30	1.689	6.46	4.75	1.84	0.83	0.67	0.67	3.27	1.5669	0.6260	0.8740	1/2	3,554	1,942	SUE 206		
SUESPM 206-19	1 3/16															SUE 206-19		
SUESPM 206-20	1 1/4															SUE 206-20		
SUESPM 207-20	1 1/4															SUE 207-20	SPM 207	3.3 1.5
SUESPM 207-21	1 5/16															SUE 207-21		
SUESPM 207-22	1 3/8	1.875	6.56	5.00	1.88	0.83	0.67	0.69	3.66	1.7283	0.6890	1.0000	1/2	4,683	2,626	SUE 207-22		
SUESPM 207	35	47.6	167.0	127.0	47.5	21.0	17.0	17.5	93.0	43.9	17.5	25.4	M14	20.83	11.68	SUE 207		
SUESPM 207-23	1 7/16															SUE 207-23		
SUESPM 208-24	1 1/2															SUE 208-24	SPM 208	4.6 2.1
SUESPM 208-25	1 9/16	1.938	7.19	5.38	2.11	0.83	0.67	0.71	3.92	1.9764	0.7480	1.1890	1/2	5,294	3,057	SUE 208-24		
SUESPM 208	40	49.2	183.0	137.0	53.5	21.0	17.0	18.0	99.5	50.2	19.0	30.2	M14	23.55	13.60	SUE 208-25		
SUESPM 209-26	1 5/8															SUE 209-26	SPM 209	5.9 2.7
SUESPM 209-27	1 11/16	2.125	7.40	5.75	2.11	0.83	0.67	0.79	4.15	1.9764	0.7480	1.1890	1/2	5,923	3,507	SUE 209-26		
SUESPM 209-28	1 3/4	54.0	188.0	146.0	53.5	21.0	17.0	20.0	105.5	50.2	19.0	30.2	M14	26.35	15.60	SUE 209-27		
SUESPM 209	45															SUE 209-28		
SUESPM 210-30	1 7/8															SUE 210-30	SPM 210	6.4 2.9
SUESPM 210-31	1 15/16	2.250	8.00	6.25	2.34	0.98	0.79	0.88	4.43	2.0709	0.7480	1.2835	5/8	6,402	4,046	SUE 210-30		
SUESPM 210	50	57.2	204.0	159.0	59.5	25.0	20.0	22.0	112.5	52.6	19.0	32.6	M16	28.48	18.00	SUE 210-31		
SUESPM 210-32	2															SUE 210-32		
SUESPM 211-32	2															SUE 211-32	SPM 211	7.9 3.6
SUESPM 211-34	2 1/8	2.500	8.56	6.75	2.31	0.98	0.79	0.91	4.92	2.2283	0.8740	1.3150	5/8	7,931	5,036	SUE 211-32		
SUESPM 211	55	63.5	217.5	171.0	59.0	25.0	20.0	23.0	125.0	56.6	22.2	33.4	M16	35.28	22.40	SUE 211-34		
SUESPM 211-35	2 3/16															SUE 211		
SUESPM 212-36	2 1/4															SUE 212-36	SPM 212	9.9 4.5
SUESPM 212	60	2.750	9.41	7.25	2.72	0.98	0.79	0.98	5.35	2.6220	1.0000	1.5630	5/8	9,554	5,921	SUE 212-36		
SUESPM 212-38	2 3/8	69.9	239.0	184.0	69.0	25.0	20.0	25.0	136.0	66.6	25.4	39.7	M16	42.50	26.34	SUE 212		
SUESPM 212-39	2 7/16															SUE 212-38		

**MARINER**®